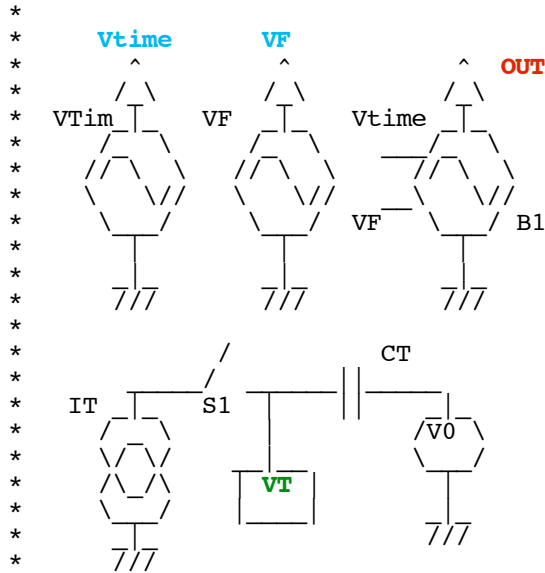


Sweep_Wave

* dsauersanjose@aol.com 6/13/08
 * www.idea2ic.com



```
.OPTIONS GMIN=1p METHOD=gear ABSTOL=1n TEMP=27 srcsteps = 100 gminsteps = 10 ITL1=
400
```

```
.OPTIONS RELTOL=.001 ABSTOL=1n VNTOL=1n ITL4=500
```

```
VTime Vtime 0 PWL ( 0 0 1 1 )
VF VF 0 PWL ( 0 100 2 1 )
*VF VF 0 PWL ( 0 1 2 100 )
B1 OUT 0 V = u(sin(3.142*v(Vtime)*v(VF)^1)) -.1
```

```
IT VT 0 -.10u
CT VT 0 1u
S1 VT V0 OUT 0 SW
V0 V0 0 DC 10u
```

```
.control
tran .1m 1000m 0
```

```
run
set pensize = 2
plot v(out)
plot abs(v(vt)) .05/v(vf) ylog
.endc
```

```
.MODEL SW SW(VT=0 VH=0 RON=30m ROFF=10MEG)
```

```
.end
```

=====END_OF_SPICE=====

To Convert PDF to plain text click below

<http://www.fileformat.info/convert/doc/pdf2txt.htm>

